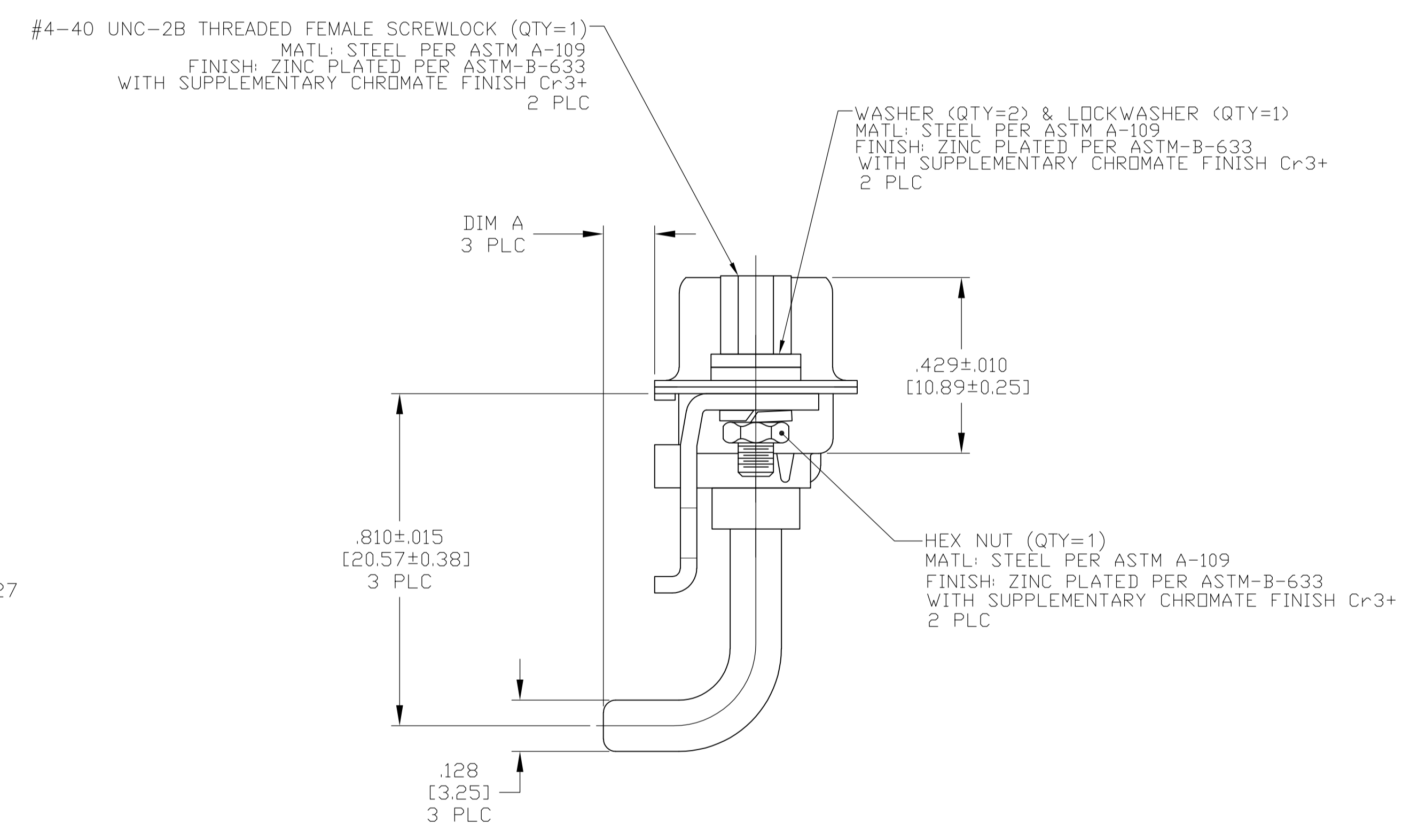
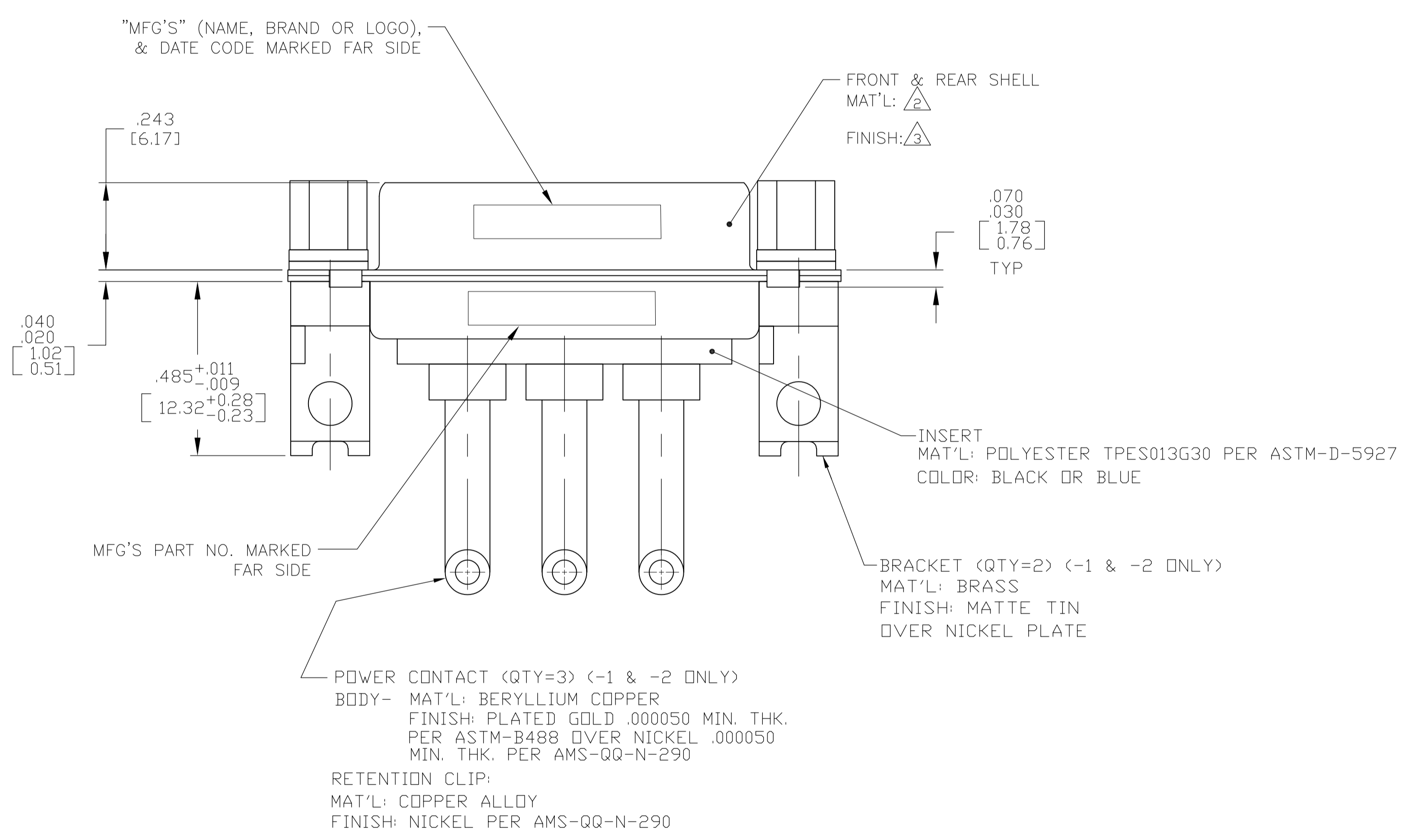
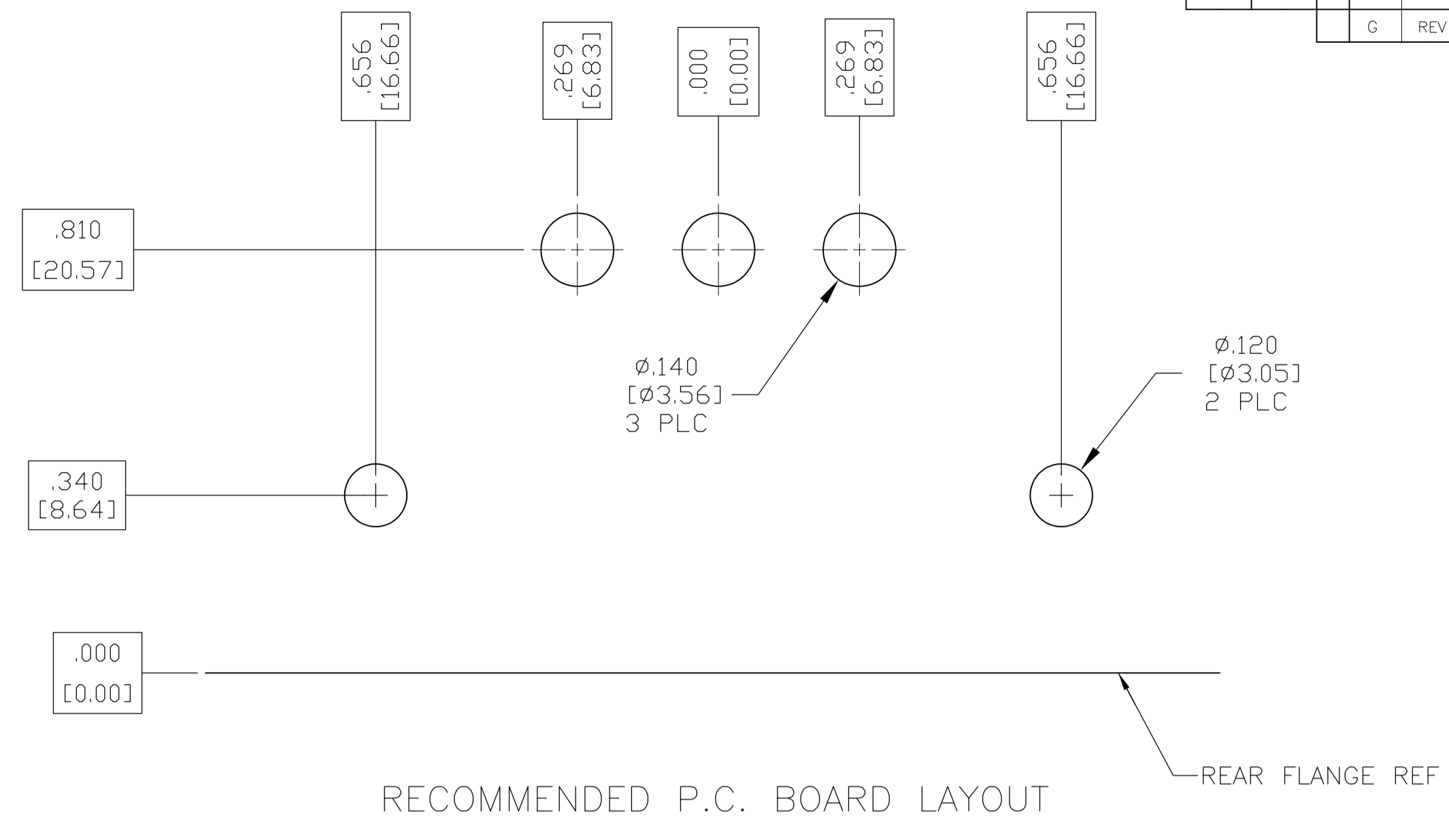
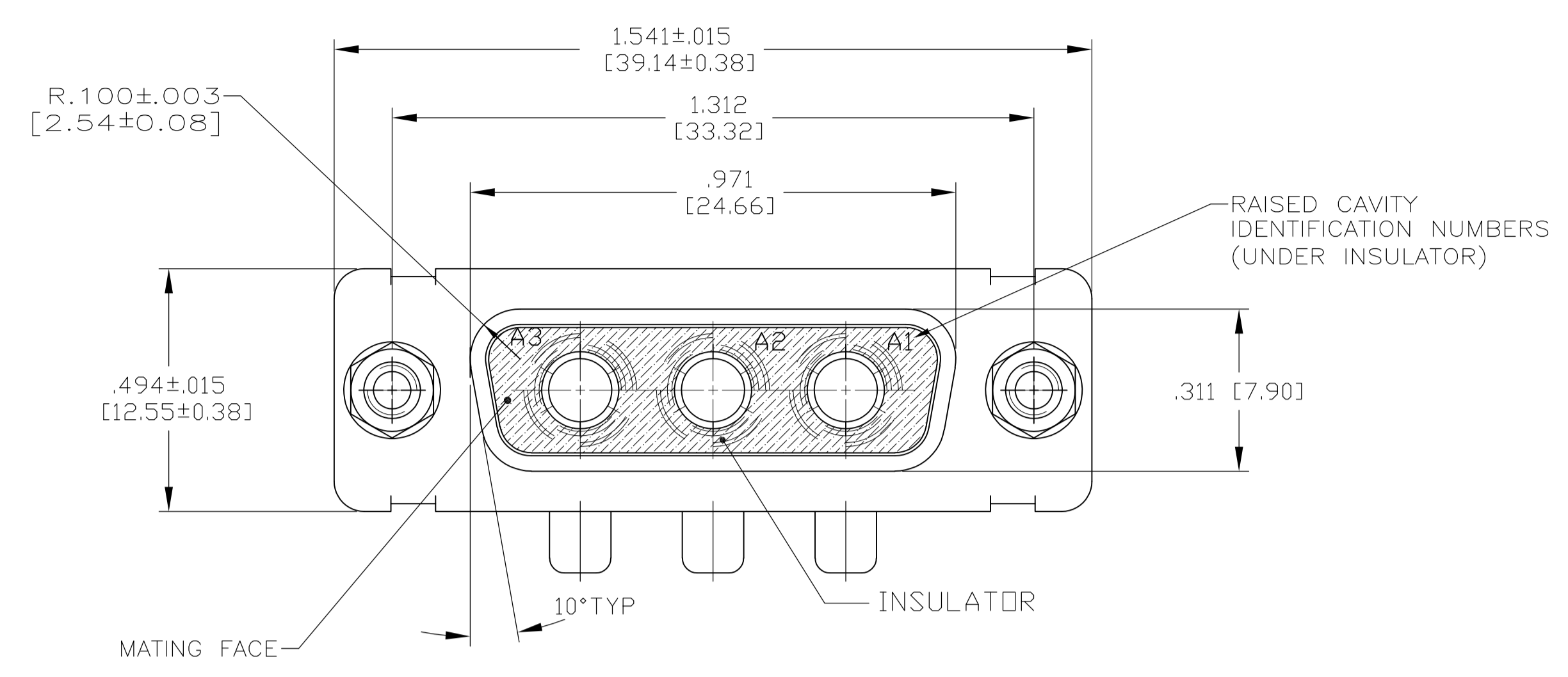


REVISONS		DATE	BY	APPV
NO	DESCRIPTION			
G	REV PER ECO-11-004855	23SEP11	PY	RL



- CONTACTS INSTALLED IN ALL POSITIONS (-1 & -2 ONLY).
- STEEL PER ASTM-A-109.
- PLATED TIN, .000300 TO .000500 THICK PER ASTM-B-545 OVER COPPER, .000050 TO .000200 THICK PER AMS 2418.
- SUPPLIED WITHOUT CONTACTS, BRACKET, LOCK TABS, LOCKWASHER & SCREW. SUPPLIED WITH KAPTON INSULATOR.
- SUPPLIED WITHOUT CONTACTS, BRACKET, LOCK TABS, LOCKWASHER & SCREW. SUPPLIED WITH BLACK POLYCARBONATE INSULATOR.

REMARKS	P.C. BOARD THICKNESS; REF	DIM A	PART NO.
5	--	--	2101233-4
4	--	--	2101233-3
WITH CONTACTS	.120 [3.05]	.165±.020 [4.18±0.51]	2101233-2
WITH CONTACTS	.080 [2.03]	.125±.020 [3.18±0.51]	2101233-1

THIS DRAWING IS A CONTROLLED DOCUMENT. C.C. THOMAS 2-27-09

STE TE Connectivity

RCPT. ASSY. AMPLIMITE, 3C3, RIGHT ANGLE, SIZE 2, COAX

SCALE 4:1 SHEET 1 OF 1 REV G